



BF900 Down Back Draft Dissecting Table



Compact.....Safe.....Ergonomic

Mopec The Better Product People

Call Us at: **1-800-362-8491** or Visit Us on the Web at **www.mopec.com**



Specially made slots for recessed dissection board with down draft ventilation on both sides of work surface

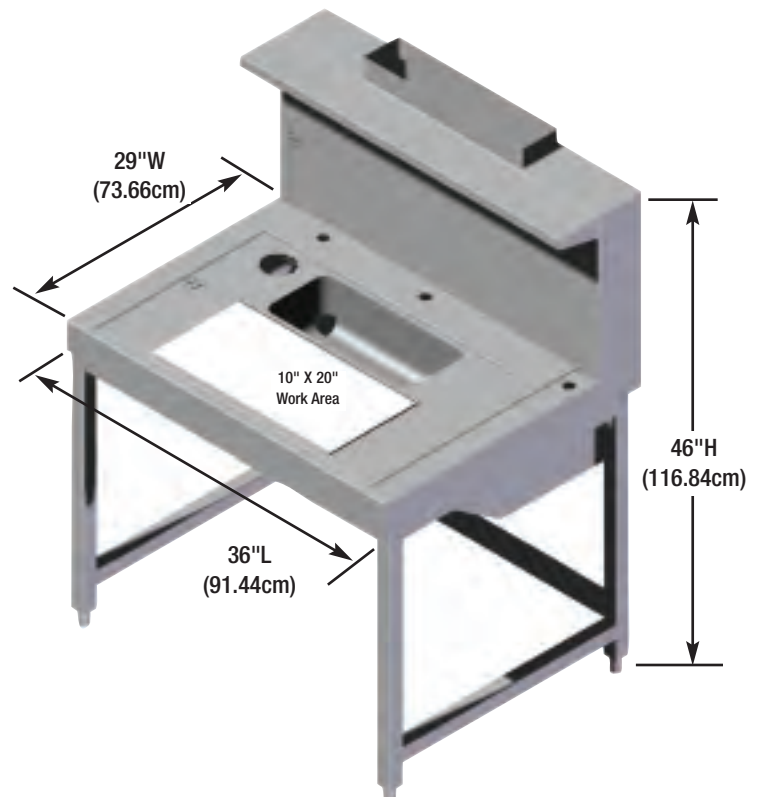
Features:

Ideal for many lab settings that need a complete, compact workstation. The BF900 is equipped with Mopec's Down Back Draft system that safely and effectively removes harmful formalin fumes. The downdraft combined with the back draft delivers approximately one third more air flow in front providing a safe, well ventilated work area for the user. The workstation has a specially recessed edge for a dissection board (10" x 20") providing a flat, level work surface. Constructed of 18 gauge, type 304 stainless steel with a #4 satin finish. A simple plumbing connection and standard 110 volt electrical outlet allows this unit to be placed in areas where space is limited. The BF900 is supplied with an eight foot hospital grade line cord. Standard on the BF900 is a formalin dispensing fixture and collection funnel. Optional disposal (BL300) is available.

Down Back Draft Dissecting Table Specifications

Dimensions: 36"L x 29"W x 46"H
(91.44 cm L x 73.66 cm W x 116.84 cm H)

Product Number: BF900



For a complete catalog detailing our products and services, please call or visit our website



21750 Coolidge Highway • Oak Park, MI 48237
Toll Free: 800-362-8491 • Tel: 248-291-2040 • Fax: 248-291-2050

www.mopec.com