

# MC100 Grossing Workstation



The MC100 grossing workstation is designed with dual dissection areas at each end and a common work area between each one. The MC100 incorporates Mopec's Backdraft ventilation system. Ventilation is strategically designed to overhang the entire working surface.

Each dissection area includes identical standard features and is designed with a built-in sloped surface which drains into the large sinks positioned at each end of the grossing station. The optional disposal can be incorporated on each sink for easy and effortless disposal of residual tissue. A deck mounted hot/cold water fixture is strategically located on the center of each sink allowing large specimens to be rinsed. Formalin can be conveniently placed above each dissection area on the shelf. Table sprays are located on the top side of the sloped dissection surfaces for rinsing the work surface. The table spray retracts within the table helping eliminate cumbersome hoses. Optional transcription machine stands are available with angled surfaces, power outlets and a wire chase. The central common work area is flat with three overhanging shelves.

Ventilation is uniform from one end to the other. The back-splash which extends the full height of the room contains the ventilation chamber. The top of the chamber has a five point connection.

**Product No. MC100**

## Standard Features

**Hot/Cold Water Fixture:** (Two) 2 swing spout faucets have easily accessible wrist blade handles for hot and cold water controls.

**GFCI Receptacle:** Two (2 each) electrical receptacles are provided. The receptacles are GFCI type with watertight cover.

**Inch/Centimeter Rulers:** Washable, easy to read inch/centimeter rulers provided.

**Recessed Fluorescent Lighting:** Work areas are illuminated by two high input fluorescent bulbs mounted under the overhead control panel.

**Storage Shelves:** Three (3) stainless steel shelves vertically adjust to accommodate storage needs.

**Formalin Shelves:** Provided are two (2) stainless steel shelves, each capable of holding a cubitainer of customer provided formalin.

## MC100 Grossing Workstation

**Utility Cabinets:** Located under each drawer with ample space for storage.

### Optional Features

Recommended that customer purchase optional features in quantities of two.

**Hand Spray Rinse:** Soft spray head for easy positioning provides an additional shield between you and specimen.

**Halogen Light Magnifier:** Poly magnifier with 4x magnification.

**Magnetic Tool Bar:** Conveniently mounted tool bar organizes and stores your most commonly used instruments easily within reach.

**Camera Stand:** Vertical camera stand with adjustable arm. Supports both digital and 35mm type cameras. Camera not included.

**Foot Pedal:** Includes a dual foot pedal H/C water control valve and swing spout faucet for hands free control.

**Formalin Collection:** Includes a funnel with perforated tissue screen piped to waste collection

carboy located under the grossing station.

**Stainless Steel Organizer Bin:** Stainless steel, attaches to unit. Large.

**Stainless Steel Organizer Bin:** Stainless steel, attaches to unit. Small.

**Literature Holder:** Capable of holding 1" letter size documents.

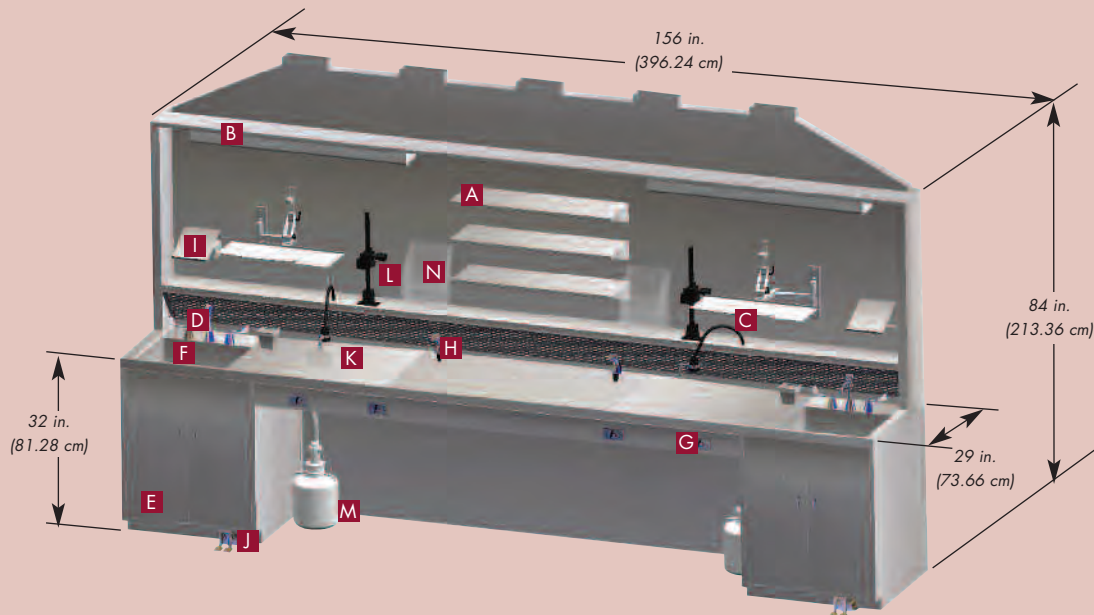
**Waste Disposal: BL800:** Heavy-duty 1 HP commercial disposal, complete with on/off switch, water solenoid, and vacuum breaker plumbed and wired ready for use.

**Dictation Equipment Stand:** Angled surface for easy viewing of most dictation systems. Dictation system not included.

**Safety Splash Shield:** Lexan shield on flexible arm for easy positioning provides an additional shield between and the specimen.

**Halogen Task Lighting - Dual:** Two halogen lights, 20 watts centered over the dissection area.

**Formalin Dispensing System:** System includes carboy, pump and valve.



#### STANDARD FEATURES:

- A** (3) Stainless Steel Shelving
- B** (2) Fluorescent Light
- C** (2) Formalin Container Shelf
- D** (2) Hot/Cold Water Fixture
- E** (2) Utility Cabinet
- F** (2) Sink Well
- G** (2) GFCI Receptacles

#### OPTIONAL FEATURES:

- H** MO010 – Hand Spray Rinse
- BL800 – 1 HP Disposal (Not Shown)
- I** MO004 – Dictation Equipment Stand
- J** MO007 – Foot Pedal
- MO009 – Safety Splash Shield (Not Shown)

- K** MO011 – Halogen Light –with Magnifying
- L** MO016 – Camera Stand
- M** MO018 – Formalin Collection System
- N** MO019 – Literature Holder