

HC Series Dissection Tables



HC375 Dissection Table

The HC Series dissection table with ventilation hood is a versatile and economical dissection area for pathology and histology laboratories. This dissection table is designed to be connected to existing ventilation systems for an efficient and maintenance free ventilated workstation. Provided with a shatterproof Lexan shield, this style hood includes protection from not only fumes but also splashing.

Standard Features

Light Fixture: Two lamp, low profile high wattage fluorescent fixture. UL listed and NSF listed.

Splash Shield: Full length lexan safety splash shield is mounted with a continuous stainless steel channel.

Hot/Cold Water Fixture: Swing spout faucet has easily accessible wrist blade handle for hot and cold water controls.

GFCI: GFCI electrical receptacle is provided.

Frame: Constructed of 1-1/2" square tubing and 16 gauge stainless steel. All welded construction with each mating tube having a continuous bead weld free of burrs and discoloration. Angle gussets located on each corner prevents any racking. Adjustable feet for leveling.

Vent Hood: Fabricated of 18 gauge stainless steel with a #4 satin finish. The hood is complete with vent tie-in collar and full length Lexan safety splash shield.

HC Series Dissection Tables

Optional Features

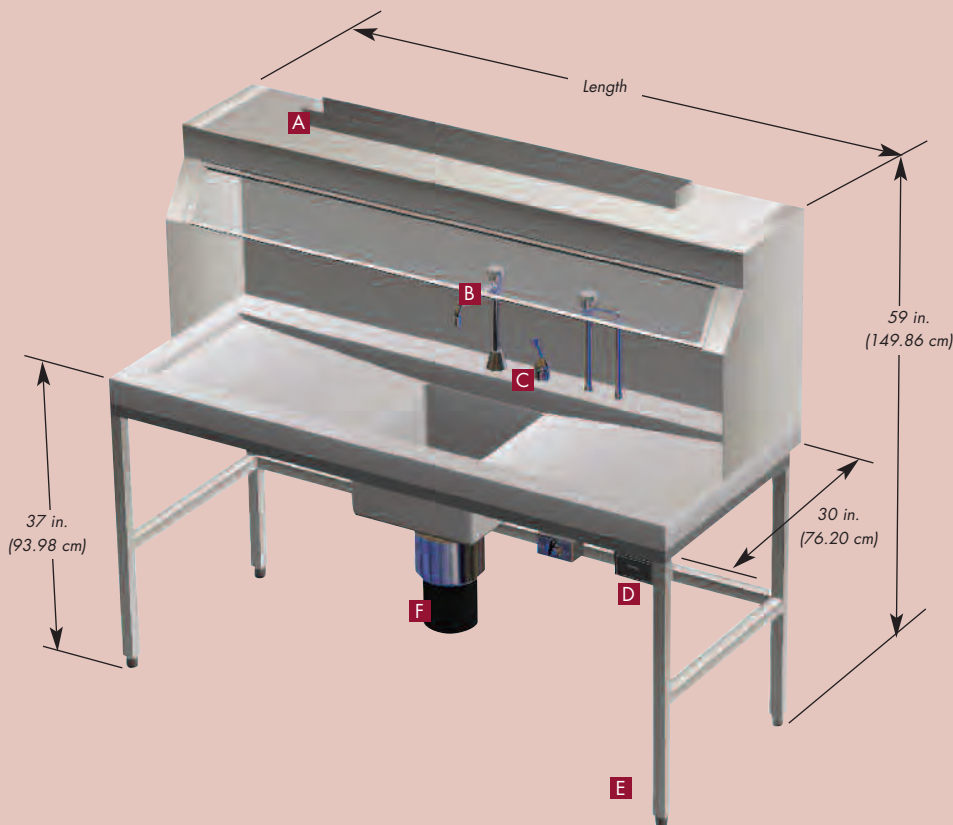
Disposal: BL800 1 HP commercial grade disposal

Hand Spray Rinse: Soft spray head for easy positioning.

Unit can be customized to fit your lab requirements with other additional options. Contact Customer Service with your specific needs.

HC Series Dissection Tables

<i>L = Length</i>	<i>V = Vent Tie-In</i>	<i>Sink</i>	<i>Product No.</i>
60" (152.4 cm)	4" x 36" (10.2 cm x 96.4 cm)	Right	HC100
60" (152.4 cm)	4" x 36" (10.2 cm x 96.4 cm)	Left	HC150
72" (182.9 cm)	4" x 48" (10.2 cm x 121.9 cm)	Right	HC200
72" (182.9 cm)	4" x 48" (10.2 cm x 121.9 cm)	Left	HC250
84" (213.4 cm)	4" x 60" (10.2 cm x 152.4 cm)	Right	HC300
84" (213.4 cm)	4" x 60" (10.2 cm x 152.4 cm)	Left	HC350
84" (213.4 cm)	4" x 60" (10.2 cm x 152.4 cm)	Center	HC375



STANDARD FEATURES:

- A** Vent Hood
- B** Fixture w/Swing Spout
- C** Hot/Cold Mixing Valve
- D** GFCI
- E** Heavy-Duty Frame
- Fluorescent Light (Not Shown)

OPTIONAL FEATURES:

- F** BL800 1/2 HP Disposal