

# JA600 Covered Cadaver Carrier

## Hydraulic Assisted Cadaver Transfer and Enshrouded Transport System

*With increased safety, efficiency and stability, the JA600 makes it easier for staff to transport heavier cadavers. The JA600 can transport up to 750 lbs!*



- **Minimizes Back Strain:** The JA600's powerful pedal activated hydraulic system allows tray to be easily and quickly elevated to the height of the bed.
- **Discreet:** The JA600's form fitting, reinforced opaque cover over a sturdy lightweight aluminum frame ensures the utmost in discretion and consideration for all hospital personnel. Special rugged bumpers provide heavy-duty impact resistance.
- **Easy to Navigate:** The JA600's Total Lock wheel locking system makes it easy to securely lock the wheels in place for cadaver transfer. Lock one wheel in parallel alignment for easy steering through crowded halls and elevators.

### Loaded with Practical Features

Wider body platform makes dealing with heavier bodies easier, yet the JA600 cart easily passes through doors and hallways.

Contoured perimeter edges ensure retention and control of fluids.



Lightweight false frame and cover



Total Lock casters

## JA600 Covered Cadaver Carrier

### Hydraulic Assisted Cadaver Transfer and Enshrouded Transport System

#### Transporting with Confidence, Safety and Discretion

Total Lock wheel locking and aligning mechanisms along with heavy-duty 8" diameter casters make maneuvering easy.

#### Moving the Cadaver from the Hospital Bed to the Transporting Cart Has Never Been Easier

Dual side mounted foot controls allow the technician to effortlessly elevate the transfer tray to the height of the bed without bending.

Specially designed contoured edging makes transferring the body from the hospital bed to the JA600 more efficient.

#### Standard Features

**Removable Frame:** All lightweight aluminum construction for long life and easy clean up. Weight: 23 lbs. Cover frame height: 16".

**Removable Cover:** Washable opaque cloth with blackout lining

**Chassis:** Chassis is constructed of high impact, easily cleaned PVC with heavy-duty twin pedestal hydraulics

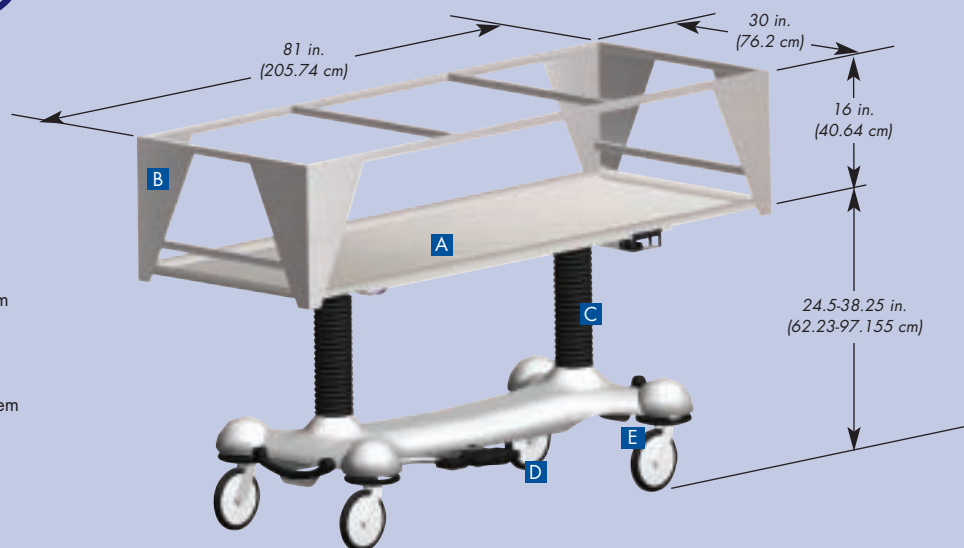
**Casters:** Heavy-duty 8" diameter rubber edged. Dual activated Total Lock wheel locking system is built in

**Dim.:** 30" W x 81" L x 24-1/2" H (lowest position), 38-1/4" H (highest position)

**Product No. JA600**



**NO MORE  
BACK STRAIN!**



#### STANDARD FEATURES:

- A** Stainless Steel Body Platform
- B** False Frame JA610
- C** Lifting Mechanism
- D** Foot Control Hydraulics
- E** Casters with Total-Lock System