

OC900 Small Necropsy Table

Stationary Necropsy Pedestal Table



Shown with custom foot pedal

The OC900 Necropsy Table is a pedestal style table that incorporates all of the features necessary to efficiently complete a necropsy. A standard feature on the OC900 necropsy table is Mopec's Downdraft Ventilation System which helps ventilate the body during a necropsy.

Electrical receptacles are provided on both sides of the table to access power on either side. A deck mounted sink spray with a high pressure hose allows complete rinsing of the body or table with the press of a lever. The necropsy table has an integrally constructed large sink and is creased toward the center for complete fluid drainage.

Product No. OC900

Standard Features

Electrical: Two GFCI electrical receptacles are positioned on each side of the pedestal.

Integral Sink: Integral sink to front panel construction eliminates sharp eaves and ledges where bacteria can accumulate. All welded, seamless construction provides durability.

Hydro-Aspirator: Hydro-aspirator is located on the end of the table near the sink. The aspirator has a reversing valve to clear the aspirator of any foreign matter. The aspirator is designed to drain into the sink end for collection or disposal and is completely plumbed with control valve, vacuum breaker and tubing.

Water Fixture: Swing spout faucet has a vacuum breaker and single lever hot/cold handle.

OC900 Small Necropsy Table

Stationary Necropsy Pedestal Table

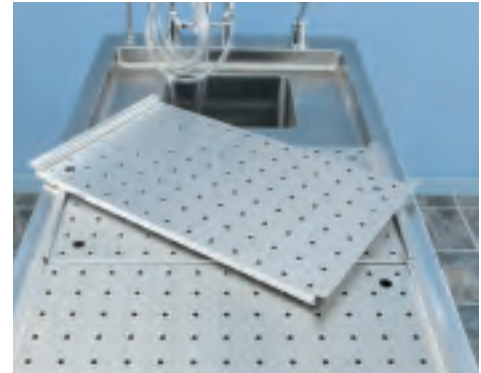
Table Rinse: Ten nozzles for water distribution allows for ease of rinsing of table.

Hand Spray Rinse: Sink spray is deck mounted for convenience and has chrome plated brass fixture with a flow control valve and high pressure hose.

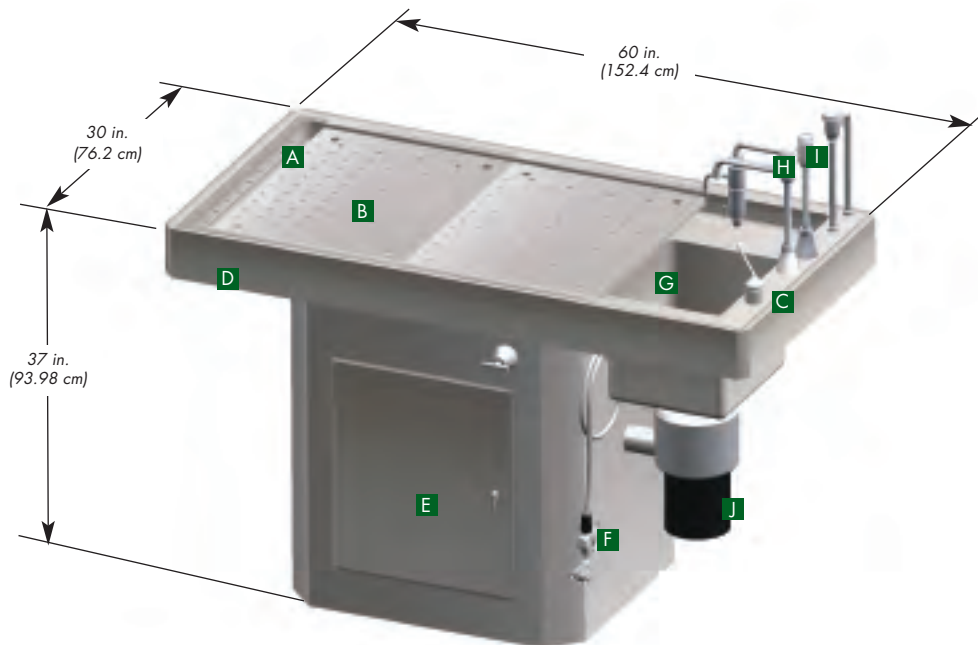
Grid Plates: Grid plates are recessed 1/2" and supported on the edge without pins. (3 each) Three independent grid plates are perforated and removable.

Hot/Cold Fixture: At one end of the table is a hot/cold fixture. The fixture is provided with wrist blade handles and a large swing spout faucet with vacuum breaker protection.

Sink: Integrally constructed within the table, large sink well (12' x 20" x 12" Deep).



A hot and cold water faucet is provided with a single lever control and a vacuum breaker to safeguard the facility's water supply



STANDARD FEATURES:

- A** Table Rinse (10 Nozzles)
- B** Perforated Grid Plates (3 each)
- C** Hot/Cold Mixing Valve
- D** GFCI Outlet (2 each)
- E** Access Panel (2 each)
- F** Hand Spray Rinse
- G** Sink Well
- H** Water Fixture with Swing Spout
- I** Hydro-Aspirator with Reverse Valve

OPTIONAL FEATURES:

- J** BL800 1 HP Disposal
- OO026 Scale Stand (Not Shown)